

CODE NUMBER

TRF-8024-D25 & TRF-8000-CP

DESCRIPTION

TruFlush Concealed Sensor Dual Flushometer with 25mm Valve Body and Wall Plate in Polished Chrome Finish for Water Closet.

COMPOSITION

- Valve Body: 34001051 (TRF-8024-D25)
- Wall Plate: 34001041 (TRF-8000-CP)

DETAILS

- Full Flush Volume: 4-4.5 Lpf (1.1-1.2 gpf)
- Half Flush Volume: 2-2.5 Lpf (0.5-0.7 gpf)
- Wall Plate Finish: Polished Chrome (CP)
- Power Type: Battery
- Battery Life: 5 years
- Valve: Piston
- Bypass: Filtered
- Valve Body Material: Yellow Brass
- Fixture Type: Water Closet
- Connection: Rear Spud
- Override: Electrical

FEATURES

- Chrome plated, corrosion-resistant, vandal resistant metal wall plate
- Electronic Courtesy Flush® Override Button
- “Low Battery” Flashing LED
- Self-adaptive Infrared Sensor with Lobular Sensing Fields for accurate target detection
- Heavy duty brass valve body
- Piston color-coded by flush volume for easy identification
- Initial target detection Indicator Light (first 10 minutes)
- Flood prevention feature limits flow to a trickle in wide open position
- Safety collar locks activation assembly to prevent access of internal components without shutting off water
- Replaceable piston assembly, accessible by removing front wall plate
- Concealed shut off sleeve adjusts flow rate
- Four (4) Size AA batteries included
- Ability to hardwire with battery backup
- Fixed Volume Piston with Filtered O-ring Bypass
- Inlet: G1" (25 mm)
- Outlet: 1-1/2" NPSM (40mm)
- Valve Body & Sensor Wall Plate are sold separately



COMPLIANCES & CERTIFICATIONS



(ADA Compliant)

RECOMMENDED SPECIFICATION

Valve shall be concealed with front access wall plate smaller than 7" x 7" and shall have integrated control stop.

ELECTRICAL SPECIFICATIONS

- Arming Delay: 8 seconds
- Battery Life: 5 years
- Control Circuit: 6 VDC Input/Solid State
- Flush Delay: 3s
- Sensor Range: 22" -46" (559-1,168mm)
- Solenoid Operator: 6 VAC
- Hardwired transformer sold separately

VALVE OPERATING PRESSURE (FLOWING)

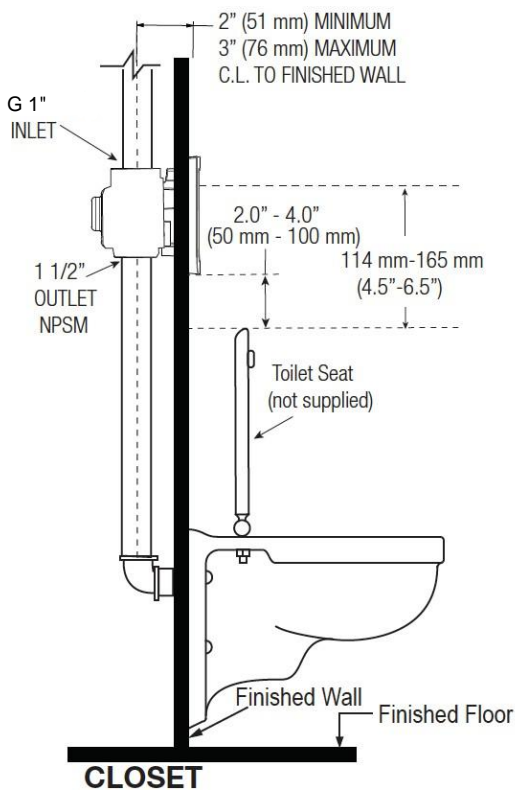
20-80 PSI. Specific fixtures may require greater minimum flowing pressure - consult manufacturer requirements.

NOTES

All information contained within this document subject to change without notice.

Battery life varies according to actual usage and restroom conditions.

ROUGH-IN



NOTE : Flush Connections shown in dotted lines not included.

