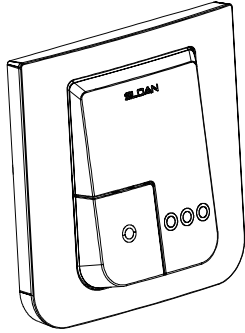


INSTALLATION INSTRUCTIONS FOR TRUFLUSH MANUAL DUAL FLUSH WALL PLATE



Manual Dual Flush Wall Plate:

TRF1000 Manual Dual Plate ASM XX

Compatible Manual Dual Flush Valves:

TRF1036-N Man Dual Flush
6/3 LPF Valve

TRF1024-N High Efficiency
4-4.5/2-2.5 LPF Valve

XX – Applicable for all finishes.

SLOAN® INDIA PRIVATE LIMITED – LIMITED WARRANTY SUMMARY

Sloan India Private Limited ("Sloan"), warrants its products against defects in materials and workmanship, excluding damage caused by matters beyond Sloan's reasonable control. Instructions for filing claims can be found in the Limited Warranty which can be obtained at <https://www.sloan.com/company/international/sloanindia> or by requesting a free copy by telephone to Sloan India toll free number 1 800 123 3080 or via Landline : +91 124 601 3333. Sloan will repair or replace your defective product, or provide a refund, as your exclusive remedy.

This is only a general summary of Sloan's Limited Warranty so it is important to note that the specific terms, conditions, limitations and exclusions, including the duration of warranty coverage for your particular Sloan product, are contained in the actual Sloan Limited Warranty. The Limited Warranty is subject to applicable laws in your country, state, province or other jurisdiction—and disputes arising under the Limited Warranty are to be resolved by binding arbitration unless you provide Sloan with an opt-out notice no later than 30 days after your purchase date. In case of a conflict with this summary, the terms and conditions set forth in the complete Limited Warranty will prevail.

PRIOR TO INSTALLATION

Wall must be finished with complete valve assembly installed.

For more information about valve installation, refer to the Valve Assembly Installation Manual (08160127).

Wall plate opening must be minimum of 4" x 4" (102 x 102 mm) to maximum of 4.5" x 4.5" (114 x 114 mm). Mud plate is provided and must accompany valve for proper installation. Mud plate is removed after wall is finished.

TOOLS REQUIRED FOR INSTALLATION

- Phillips screwdriver
- 5/64" hex wrench (supplied)
- Wall plate depth setting tool (supplied)



ITEMS INCLUDED WITH THE PRODUCT

WALL PLATE BOX

1. Wall Plate
2. Button and bracket assembly
3. (3) #10-32 x 2-1/2 screws to secure bracket to valve
4. (2) #8-32 x 7/8 screws to secure plate to valve
5. Depth setting tool
6. M3 screws with nylon patch coating (M3x16, M3x25, M3x34) for plunger
7. Hex wrench
8. Installation instructions

1. Wall Plate



2. Button/Bracket Assembly



3. Bracket to Valve Screws



4. Plate to Valve Screws



5. Depth Setting Tool



6. Plunger Screws



7. Hex wrench



8. Instructions

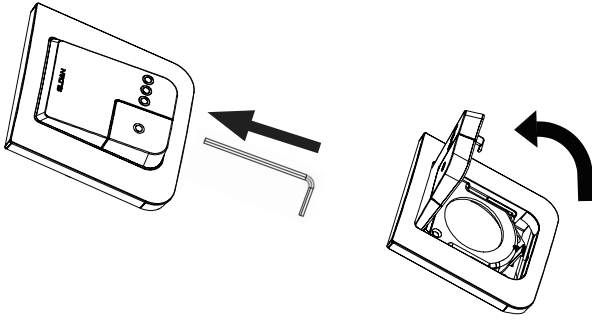


1. INSTALL FLUSHOMETER AND PURGE PLUMBING SYSTEM

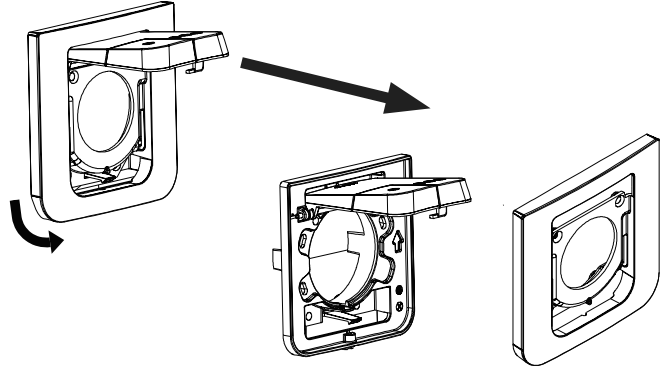
Refer to the Valve Assembly Installation Manual (08160127).

2. INSTALL BUTTON / BRACKET ASSEMBLY

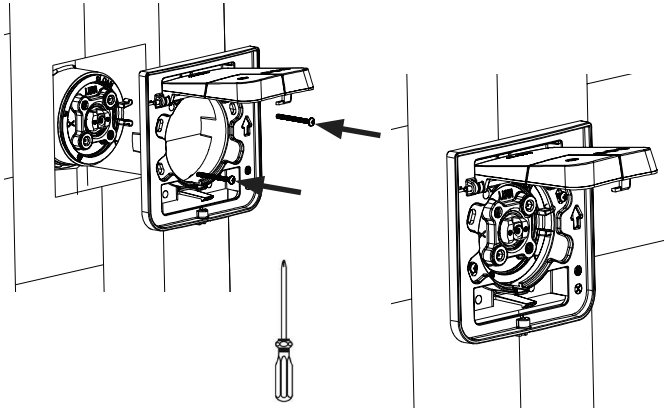
1. Insert the hex wrench in the hole at the bottom of the wall plate assembly and push it in to snap open the button and then lift the button by 90° until button locks in place.



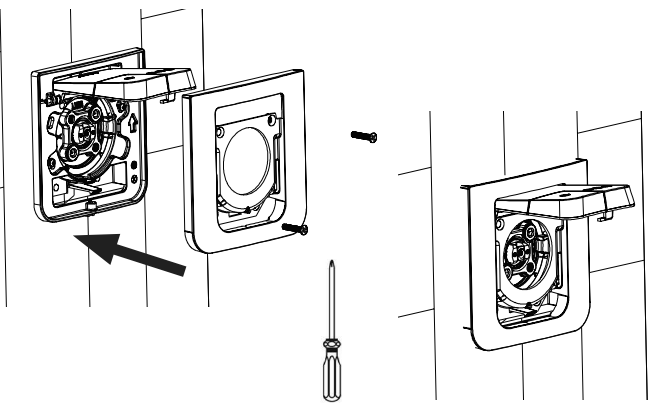
2. Remove the face plate by tilting it up from the bottom and then pulling it out.



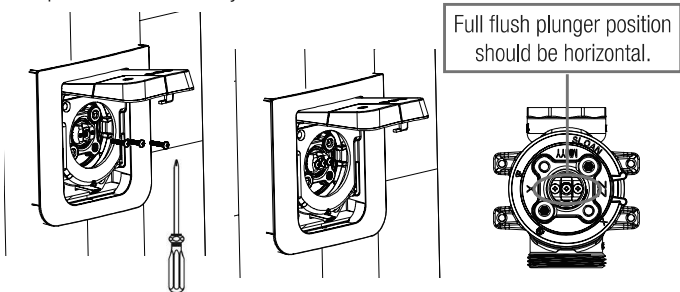
3. Mount the Wall Bracket to valve and secure it using the Bracket to Valve Screws (supplied).



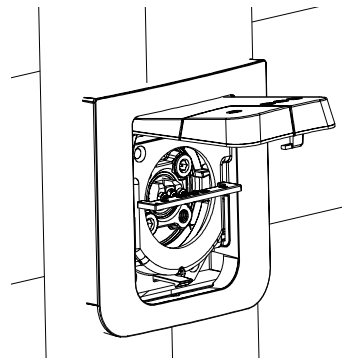
4. Mount the Face Plate on the black Wall Bracket and secure it using the Plate to Valve Screws (supplied).



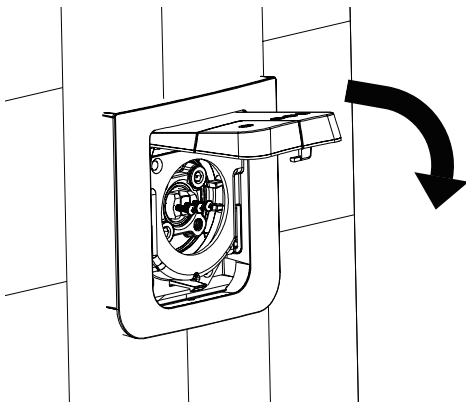
5. Choose one of the three length plunger screws provided (see Item 6 on first page) and thread into plunger. If the plunger starts rotating, STOP. This means the screws have reached the bottom of the hole and overtightening the screws will cause damage to the plunger. Try the next shorter screw size included with the product to finish adjustment.



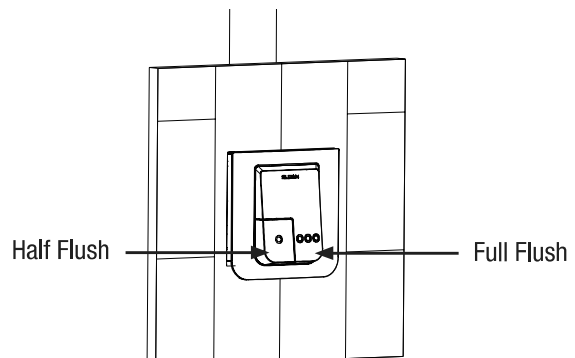
6. Using the depth tool (supplied), adjust depth of plunger screws until screws touch depth guide (use provided alternate length screws if necessary).



7. Rotate the button 90° back to lock it in place.



8. Test flush by pushing button (make sure that button is not pushing the screws when not being pressed).



TROUBLESHOOTING GUIDE

1. Flushometer does not function (no water/flush).

- A. Ensure water supply to valve is turned on.
- B. Shut off sleeve is in closed position. Turn anti-clockwise to open water flow.
- C. Ensure activation assembly screws are aligned horizontally.
- D. Plunger screws are not adjusted properly. Adjust screws using depth guide.

2. Volume of water is not sufficient to evacuate the bowl.

- A. Shut off sleeve is not open wide enough. Adjust shut off sleeve for desired delivery of water volume.
- B. Urinal piston parts installed in a Closet flushometer. Replace piston with proper Closet piston (6/3 Lpf or 4-4.5/2-2.5 Lpf).
- C. Water supply volume or pressure is inadequate (low). If the fixture does not siphon or evacuate the bowl, steps must be taken to increase the water supply pressure and/or volume. Contact the fixture manufacturer for minimum water supply requirements of the fixture.
- D. Full flush plunger screws (2 outer screws) are not adjusted to the same depth as half flush plunger screw (center screw). Adjust screws using depth guide.

3. Flushometer closes off immediately.

- A. Urinal piston parts installed in a Closet flushometer. Replace piston with proper Closet piston (6/3 Lpf or 4-4.5/2-2.5 Lpf).
- B. Piston lip seal may be damaged or worn. Replace with new correct gpf/Lpf piston.
- C. Plunger screw not set properly. Adjust screw using depth guide.

4. Length of flush is too short (Short Flush).

- A. Incorrect piston is installed in Flushometer; for instance, Urinal assembly inside a Closet Flushometer, or High Efficiency assembly inside a higher consumption fixture. Determine the flush volume required by the fixture and replace with proper gpf/Lpf piston. Use valve label and markings on fixture for reference.
- B. Piston lip seal may be damaged or worn. Replace with new correct gpf/Lpf piston.
- C. Plunger screw is not adjusted properly. Adjust screw using depth guide.

5. Length of flush is too long (Long Flush) or continuous.

- A. Metering bypass hole in piston is clogged. Remove the piston from the valve and wash under clean running water. Do not attempt to remove filter screen. Replace piston if cleaning does not correct the problem.
- B. Supply line water pressure has dropped and is not sufficient to close the valve. Close shut off sleeve until pressure is restored.
- C. Piston is damaged. Replace with new proper gpf/Lpf piston.
- D. Incorrect Piston is installed in Flushometer; for instance, Closet assembly inside a Urinal flushometer. Determine the flush volume required by the fixture and replace piston. Use valve label and markings on fixture for reference.

6. Chattering noise is heard during flush.

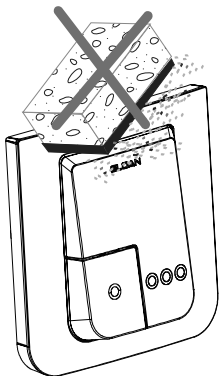
- A. Reduce flow pressure by turning shut off sleeve clockwise.

7. Valve leaks through Aspirator when Activated

- A. Debris between the umbrella valve and the retainer. Blow air on the aspirator. If this does not correct the problem, remove retainer with 5 mm Allen Key (not included) and wash it under clean running water. Replace aspirator if cleaning does not correct the problem.
- B. Loose Retainer. Hand tight retainer with 5 mm Allen Key (not included). Do not overtight. Replace aspirator if this does not correct the problem.

CARE AND CLEANING

DO NOT use abrasive or chemical cleaners (including chlorine bleach) to clean Flushometers that may dull the luster and attack the chrome or special decorative finishes. Use ONLY mild soap and water, then wipe dry with clean cloth. While cleaning the bathroom tile, protect the Flushometer from any splattering off cleaner. Acids and cleaning fluids will discolor or remove chrome plating.



PARTS LIST

Item No.	Part No.	Description
1	See Table 1	Valve Assembly Less Plate
2	See Table 2	Piston Assembly
3	See Table 3	Activation Assembly
4	TRF 1000	Wall Plate Assembly*

*Consult factory for special finishes.

TABLE 1 — VALVE ASSEMBLY LESS PLATE SELECTION GUIDE

Code No.	Model No.	Description
34000006	TRF-1036-N	6/3 Lpf Manual Valve Assembly
34000007	TRF-1024-N	4-4.5/2-2.5 Lpf Manual Valve Assembly

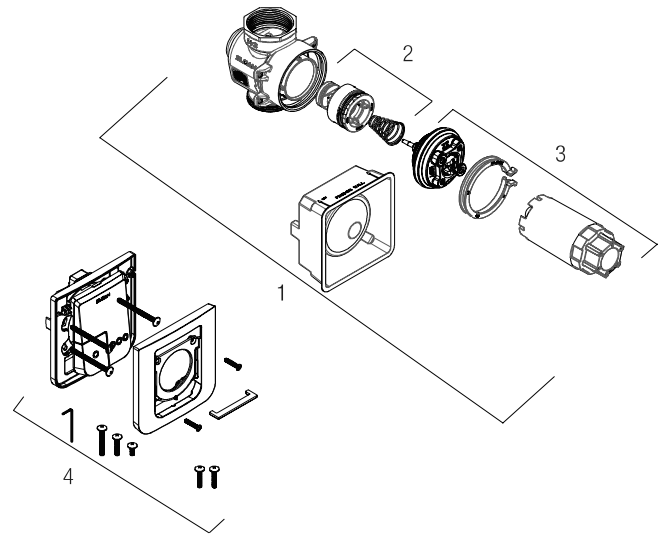


TABLE 2 — MANUAL PISTON ASSEMBLY SELECTION GUIDE

Code No.	Part No.	Description	Piston Color*
33400083	GBL-1103-A	6/3 Lpf Piston Assembly	Orange/Red
33400064	GBL-1089-A	4-4.5/2-2.5 Lpf Piston Assembly	Grey/Black

* Colors may differ. Consult factory to confirm you have the correct piston assembly.

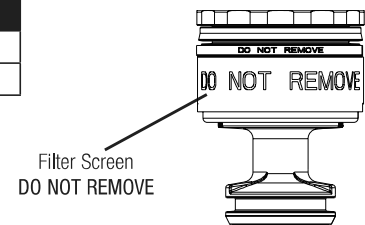
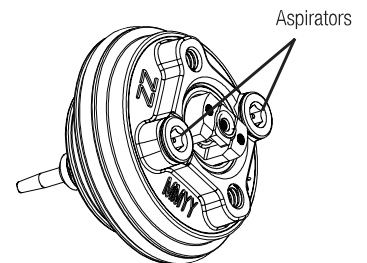


TABLE 3 — MANUAL ACTIVATION ASSEMBLY SELECTION GUIDE

Code No.	Part No.	Description	Aspirator Retainer Color*
33400097	GBL-1105-A	6/3 Lpf Activation Assembly	Orange/Red
33400098	GBL-1106-A	4-4.5/2-2.5 Lpf Activation Assembly	Grey/Grey

* Colors may differ. Consult factory to confirm you have the correct activation assembly.



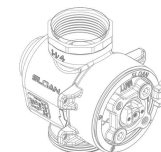
ASPIRATOR ASSEMBLY SELECTION GUIDE

Code No.	Part No.	Description	Aspirator Retainer Color*
33400085	GBL-1099-A	6/3 Lpf Aspirator Assembly (6PK)	Orange/Red
33400073IN	GBL-1095-A	4-4.5/2-2.5 Lpf Aspirator Assembly (6PK)	Grey/Grey

* Colors may differ. Consult factory to confirm you have the correct aspirator assembly.

For complete listing of items available for repair, please consult the Maintenance and Repair Guide.

Valve Assembly Installation Manual (08160127)
available on www.sloan.in



Valve
sold separately

NOTE Maximum of two (2) free of charge service technician visits are applicable, one each for pre and post installation guidance of the product, any further technician visits will incur additional charges. Please contact your local Sloan representative for more information.

The information contained in this document is subject to change without notice.

SLOAN INDIA PRIVATE LIMITED • 344, PHASE-II UDYOG VIHAR, GURUGRAM 122015 INDIA
Phone: (+91) 124-6013300/33 • Toll Free: 1800.123.3080 • customercare@sloan.in • www.sloan.in